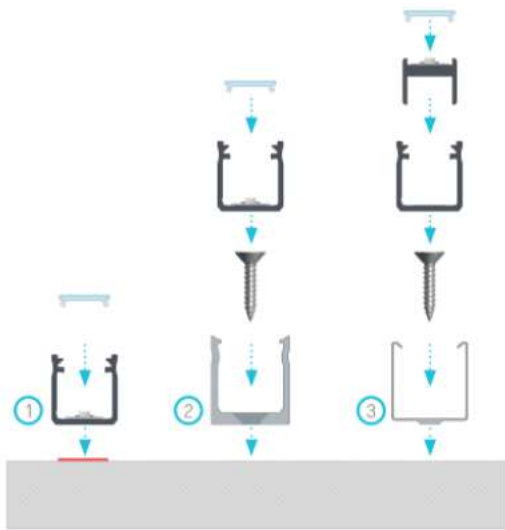




INSTALLATION DIAGRAMS



Installation instructions for profile Y with a BASIC cover using (1) a double-sided tape, (2) a mounting clip Y, (3) an assembly profile Y M1 and a metal mounting clip Y

1

2



The result of installation of profile Y with BASIC cover, using (1) a double-sided tape, (2) a mounting clip Y, (3) an assembly profile Y M1 and a metal mounting clip Y

3

4

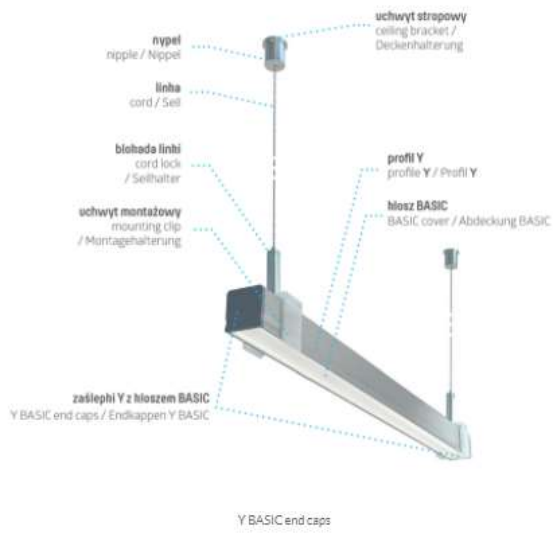


The end result of installation of recessed profile Y with BASIC cover between two plasterboards

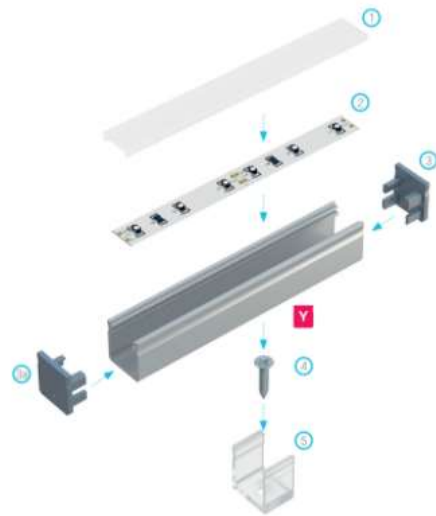


Connecting profiles Y with a BASIC cover at 90 degrees

5



6



Assembly scheme for elements of the lighting system using profile Y and (1) a BASIC cover, (2) a LED strip, (3) an end cap without hole, (3a) an end cap with hole, (4) a mounting screw, (5) a mounting clip Y