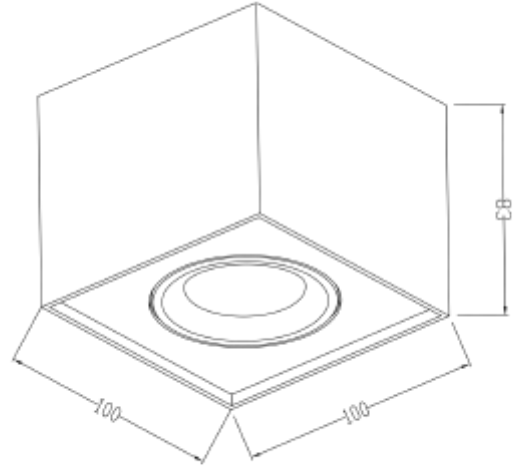
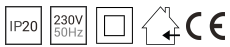




**FDV SPEC SHEET**  
Cobra 360° Rotatable Surface  
Art. no: 6827-38-3



## Cobra 360° Rotatable Surface



Art. no: 6827-38-3

### LIGHT TECHNICAL

Lumen Output:	600
Lumen LED (tc=25):	650
Beam Angle:	38°
CCT (Color Temperature):	2700
CRI / Ra:	90
Color Code:	927
MacAdam (SDCM):	3
Lens (Diffuser):	Clear

### MOUNTING / CONNECTION

Connection:	QuickConnect
Mounting:	Surface, Ceiling

### PRODUCT

To be recessed in insulation:	Not applicable
Ingress Protection:	IP20
Lifetime [h]:	50 000
Color:	White
Length [mm]:	100
Height [mm]:	83
Width [mm]:	79
Weight [kg]:	0.6

### ELECTRICAL DATA

Dimming:	Phase-Cut
Dimming Phasecut Type:	Leading / Trailing edge
System Power [W]:	8
System Voltage [V]:	230V 50Hz
Protection Class:	2
Max load pr circuit - B10:	35
Max load pr circuit - B16:	56
Max load pr circuit - C10:	74
Max load pr circuit - C16:	118
Inrush current I <sub>max</sub> [A]:	5
Inrush current time [μs]:	300
Socket / Cap-Base:	N/A