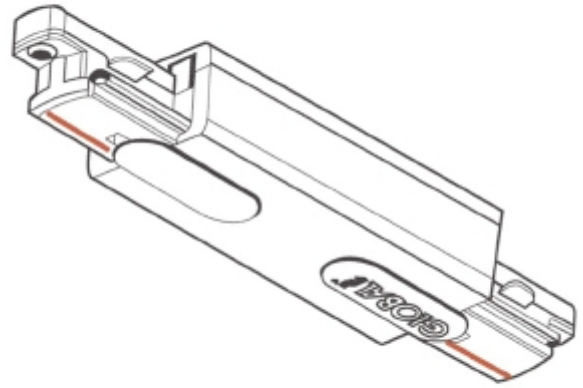




## FDV SPEC SHEET

Global Base Middle Feed 1-circuit WH

Art. no: GB14-3



# Global Base Middle Feed 1-circuit WH

Art. no: GB14-3