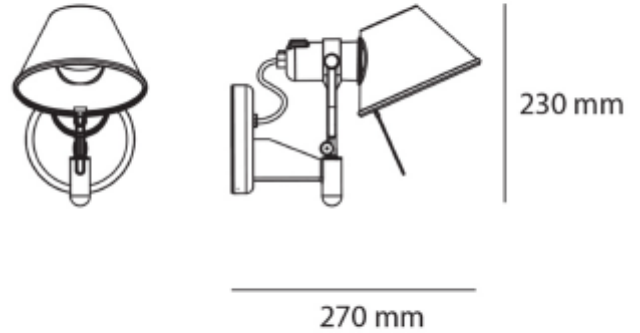




FDV SPEC SHEET

Tolomeo Faretto - with switch on-off Aluminium
Art. no: A029250



Tolomeo Faretto - with switch on-off Aluminium



Art. no: A029250

LIGHT TECHNICAL

Lightsource Type:	Lightsource not included
Socket / Cap-Base:	E27

MOUNTING / CONNECTION

Connection:	Terminal
Mounting:	Wall

PRODUCT

Ingress Protection:	IP20
Color:	Aluminium
Height [mm]:	230
Width [mm]:	250

ELECTRICAL DATA

Dimming:	Light bulb dependent
Max. Power [W]:	77
System Voltage [V]:	230V 50Hz
Protection Class:	1
Socket / Cap-Base:	E27