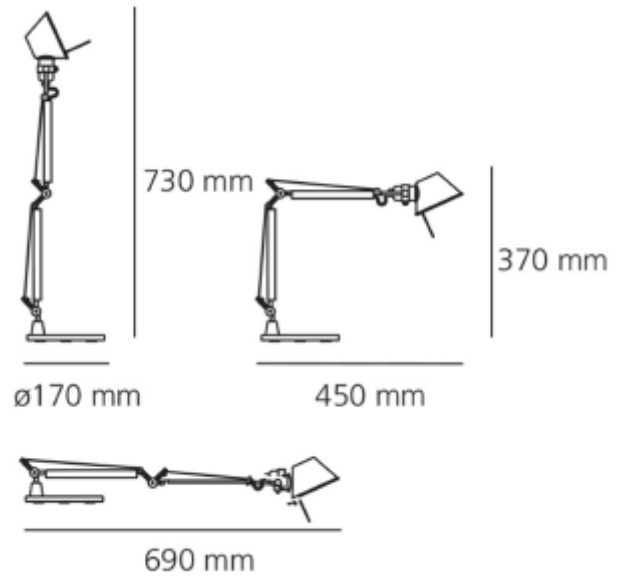
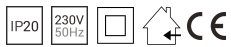




FDV SPEC SHEET
 Tolomeo Micro Table BK
 Art. no: A011830



Tolomeo Micro Table BK



Art. no: A011830

LIGHT TECHNICAL

Lightsource Type:	Lightsource not included
Lumen Output:	244
Socket / Cap-Base:	E14

MOUNTING / CONNECTION

Connection:	Terminal
Mounting:	Table

PRODUCT

Ingress Protection:	IP20
Color:	Black
Length [mm]:	450
Height [mm]:	370
Width [mm]:	170

ELECTRICAL DATA

Dimming:	Light bulb dependent
System Power [W]:	40
Max. Power [W]:	46
System Voltage [V]:	230V 50Hz
Protection Class:	2
Socket / Cap-Base:	E14