




FDV SPEC SHEET

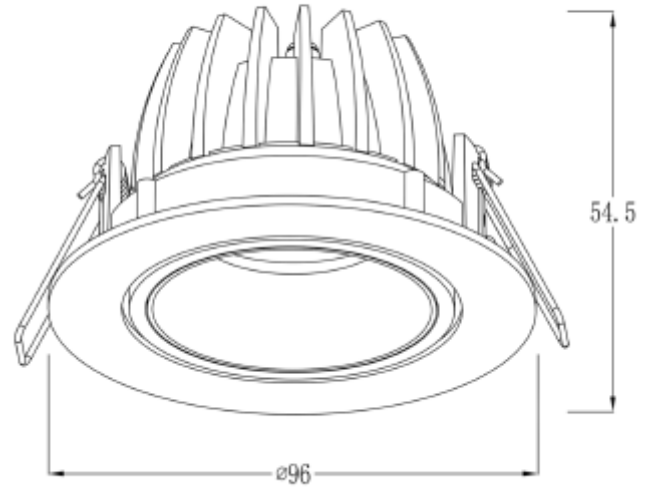
Helios

Art. no: 6989-38-3



Lighting Solutions

 83mm



Helios



Art. no: 6989-38-3

LIGHT TECHNICAL

Lightsource Type:	LED (built in)
Lumen Output:	545
Lumen LED (tc=25):	750
Beam Angle:	38°
CCT (Color Temperature):	2700
CRI / Ra:	90
Color Code:	927
Lens (Diffuser):	Clear

MOUNTING / CONNECTION

Connection:	QuickConnect
Cut-out [mm]:	Ø83
Mounting:	Recessed, Ceiling

ELECTRICAL DATA

Dimming:	Phase-Cut
Dimming Phasecut Type:	Leading / Trailing edge
System Power [W]:	8
System Voltage [V]:	230V 50Hz
Protection Class:	2
Max load pr circuit - B10:	35
Max load pr circuit - B16:	56
Max load pr circuit - C10:	74
Max load pr circuit - C16:	118
Inrush current I _{max} [A]:	5
Inrush current time [µs]:	300
Socket / Cap-Base:	N/A
Current Output [mA]:	350
Voltage Forward Min [V]:	17
Voltage Forward Max [V]:	18



FDV SPEC SHEET

Helios

Art. no: 6989-38-3



Lighting Solutions

PRODUCT

Ingress Protection:	IP20
Lifetime [h]:	50 000
Color:	White
Height [mm]:	54,5
Width [mm]:	96
Weight [kg]:	0,34
Housing Material :	Aluminium