



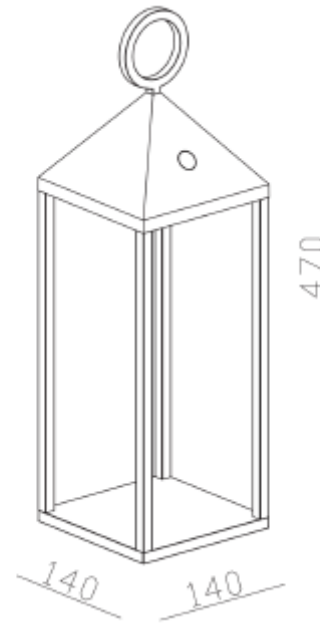
FDV SPEC SHEET

Specter 200lm 827 2,2W Touch Dim Chargeable IP54 GR 470mm

Art. no: 101380-470-1



Lighting Solutions



Specter 200lm 827 2,2W Touch Dim Chargeable IP54 G



Art. no: 101380-470-1

LIGHT TECHNICAL

Lightsource Type:	LED (built in)
Lumen LED (tc=25):	200
Beam Angle:	46
CCT (Color Temperature):	2700
CRI / Ra:	80
Color Code:	827

ELECTRICAL DATA

Dimming:	Touch dim
System Power [W]:	2,2
System Voltage [V]:	230Vac / USB-C
Protection Class:	2
Socket / Cap-Base:	N/A

MOUNTING / CONNECTION

Connection:	USB-C
Mounting:	Ground

PRODUCT

Ingress Protection:	IP54
Color:	Grey
Length [mm]:	140
Height [mm]:	470
Width [mm]:	140