



PRODUCT SHEET

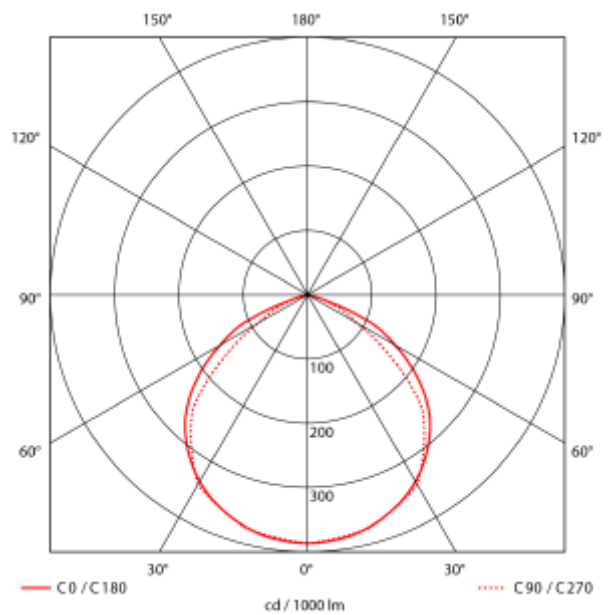
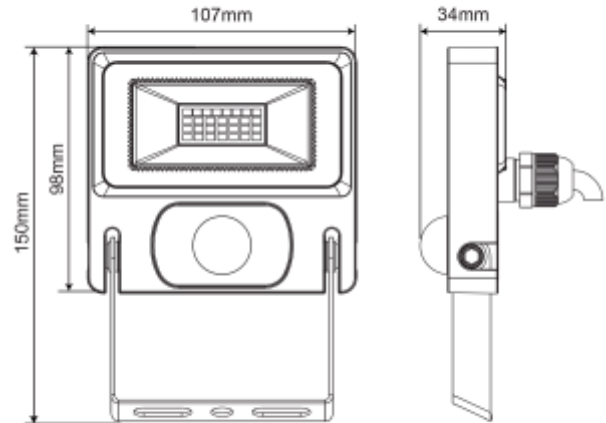
Michelle Floodlight

Art. no: 101123-PIR-2



Lighting Solutions

Michelle Floodlight



20W floodlight with PIR sensor. Use remote control to change sensor function. Choose different levels of duration time, detection sensibility, and dusk / down function.



SPECIFICATIONS

System Power [W]:	20W
CCT (Color Temperature):	4000K
CRI / Ra:	80
Lumen Output:	2200lm
Lumen LED (tc=25):	2300lm
Beam Angle:	110°
Lens (Diffuser):	Clear
Dimming:	Sensor (PIR)
System Voltage [V]:	230V 50Hz
Connection:	Cable 2m
Mounting:	Wall
Lifetime [h]:	L80B50: 35 000h
Lumen/W:	110lm/W
Color:	Black
Length [mm]:	107mm
Height [mm]:	150mm
Width [mm]:	34mm
Weight [kg]:	0,35kg