

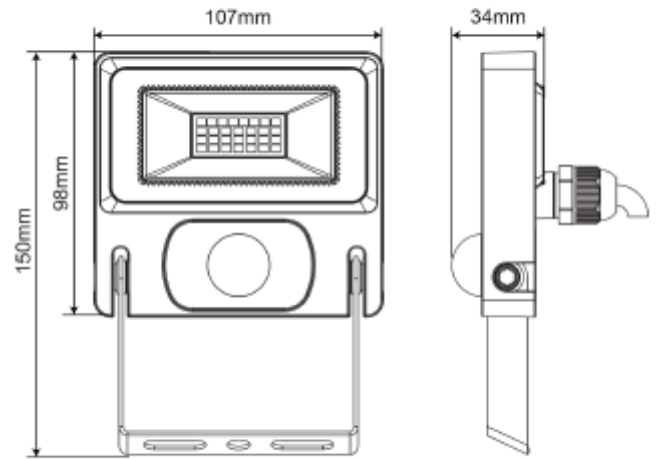


FDV SPEC SHEET

Michelle Floodlight
Art. no: 101123-PIR-2



Lighting Solutions



Michelle Floodlight



Art. no: 101123-PIR-2

LIGHT TECHNICAL

Lumen Output:	2200
Lumen LED (tc=25):	2300
Beam Angle:	110°
CCT (Color Temperature):	4000
CRI / Ra:	80
Color Code:	840
Lens (Diffuser):	Clear

MOUNTING / CONNECTION

Connection:	Cable 2m
Mounting:	Wall

ELECTRICAL DATA

Dimming:	Sensor (PIR)
System Power [W]:	20
System Voltage [V]:	230V 50Hz
Protection Class:	1
Max load pr circuit - B10:	25
Max load pr circuit - B16:	40
Max load pr circuit - C10:	40
Max load pr circuit - C16:	64
Leakage current [mA]:	0,5
Inrush current I _{max} [A]:	6,7
Socket / Cap-Base:	N/A



FDV SPEC SHEET

Michelle Floodlight
Art. no: 101123-PIR-2



Lighting Solutions

PRODUCT

Ingress Protection:	IP65
Impact Protection:	IK08
Operating Temperature [°C]:	-20 - 45
Lifetime [h]:	L80B50: 35 000
Color:	Black
Length [mm]:	107
Height [mm]:	150
Width [mm]:	34
Weight [kg]:	0,35