



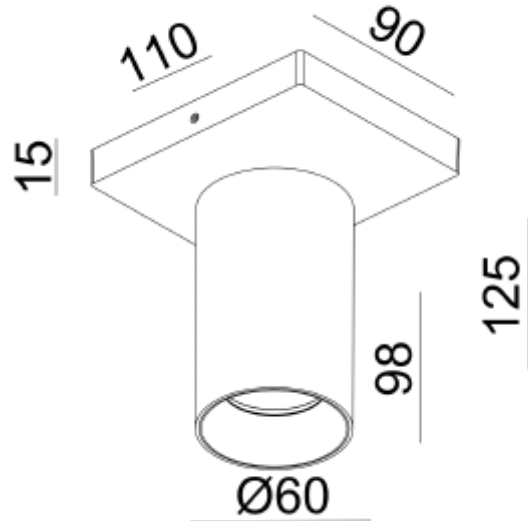
FDV SPEC SHEET

Tania Mini S1 GU10 max 7,5 led W BK

Art. no: 101081-2



Lighting Solutions



Tania Mini S1 GU10 max 7,5 led W BK



Art. no: 101081-2

LIGHT TECHNICAL

Lightsource Type:	Lightsource not included
Socket / Cap-Base:	GU10

MOUNTING / CONNECTION

Connection:	Terminal
Mounting:	Surface, Ceiling

PRODUCT

Ingress Protection:	IP20
Color:	Black
Length [mm]:	110
Height [mm]:	125
Width [mm]:	90

ELECTRICAL DATA

Dimming:	Light bulb dependent
Max. Power [W]:	1x7,5
System Voltage [V]:	230V 50Hz
Protection Class:	1
Socket / Cap-Base:	GU10