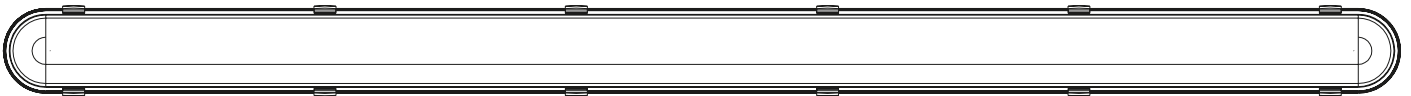
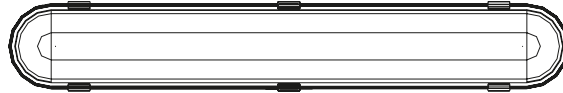


ART. NO.

0451-02

0452-02

NORLUX®*Lighting Solutions*

Stream C

INSTALLATION MANUAL

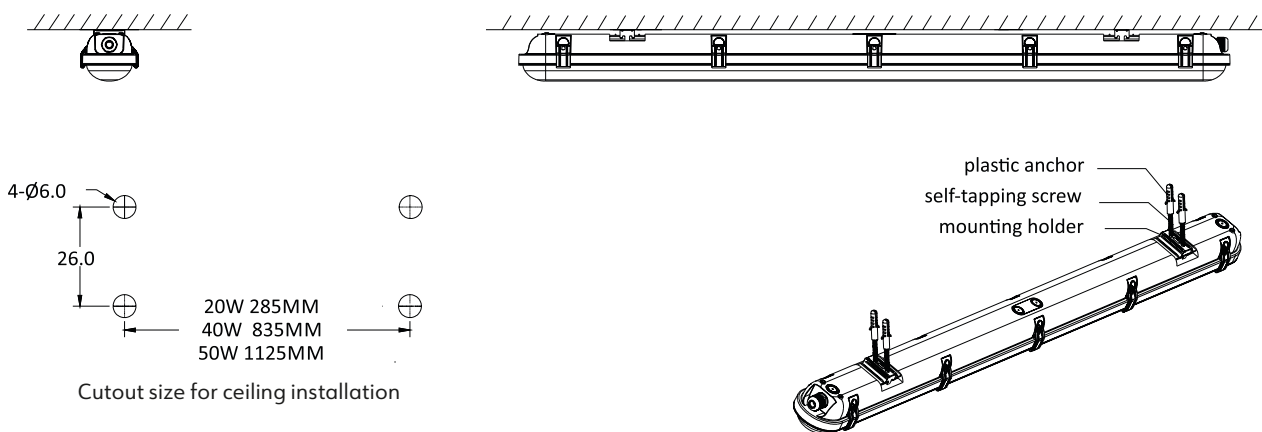
**⚠ Safety Notes:**

- The product must be installed, maintained, and operated as instructions below.
- Before starting installation of this product, make sure power supply is disconnected.
- Only to be installed by authorized electrician.
- Do not use abrasives or solvents when cleaning.
- Do not install the product if it appears damaged in any way. Check with manufacturer if in doubt.
- Do not modify this fitting in any matter as this will void warranty.
- Check protection class, if class I, it must be earthed.
- Disconnect power supply before maintenance or cleaning.

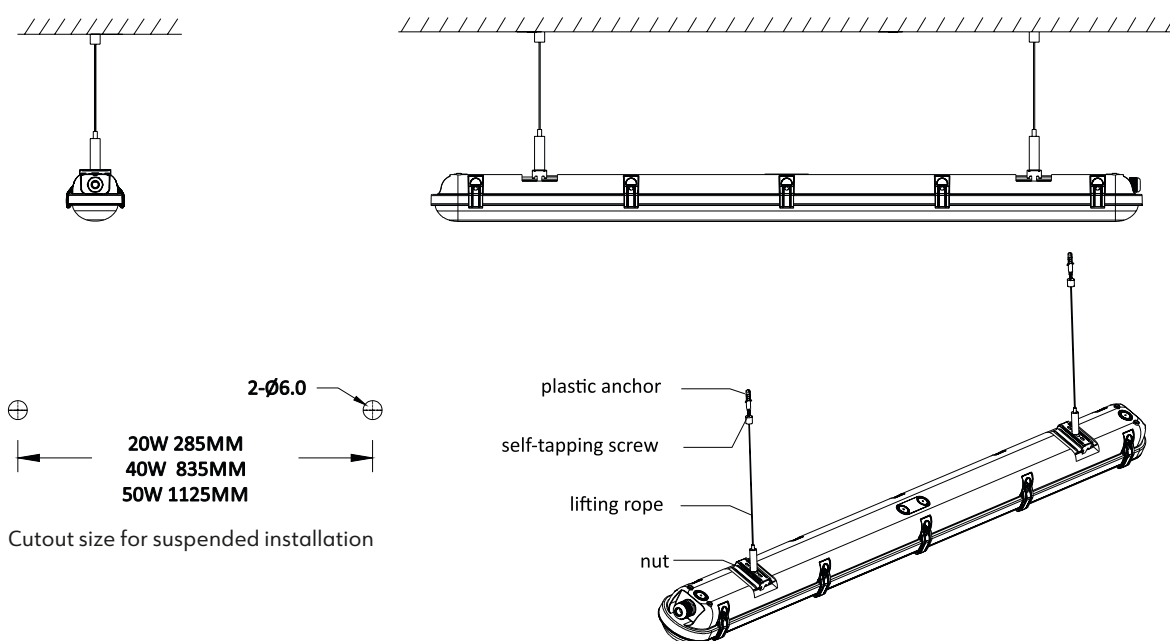
⚠ Sikkerhetsinformasjon:

- Følg installasjonsmanual for korrekt montering.
- Koble alltid fra strømmen før montering eller vedlikehold.
- Kan kun monteres av autorisert elektriker.
- Monter ikke produktet hvis det er synlig skade. Kontakt forhandler eller produsent.
- Bruk ikke løsemidler ved rengjøring
- Produktet skal ikke under noen omstendigheter endres eller modifiseres.
- Sjekk produktets isolasjonsklasse. Ved isolasjonsklasse I skal produktet jordes.

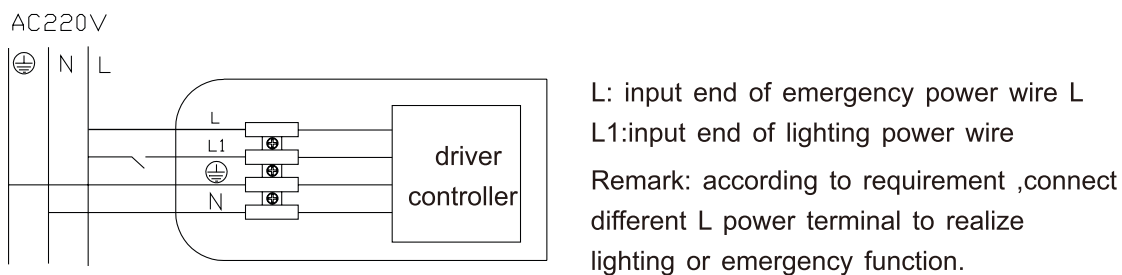
CEILING INSTALLATION



SUSPENDED INSTALLATION



CONNECTION DIAGRAM



INSTALLATION REQUIREMENTS

- Thread the input cable through waterproof joint, then combine the input thread and wiring terminals, and ensure reliable contact.
- Tighten the knob bracket.
- Ceiling installation: fix the ceiling bracket on the installation surface via self-tapping screws and flat gasket, then snap the lamp body into bracket.
- Suspension installation: please first fix the steel wire on the installation surface, and fix the wire lock on bracket with nut, then snap the lamp body into bracket, finally adjust the length of steel wire.