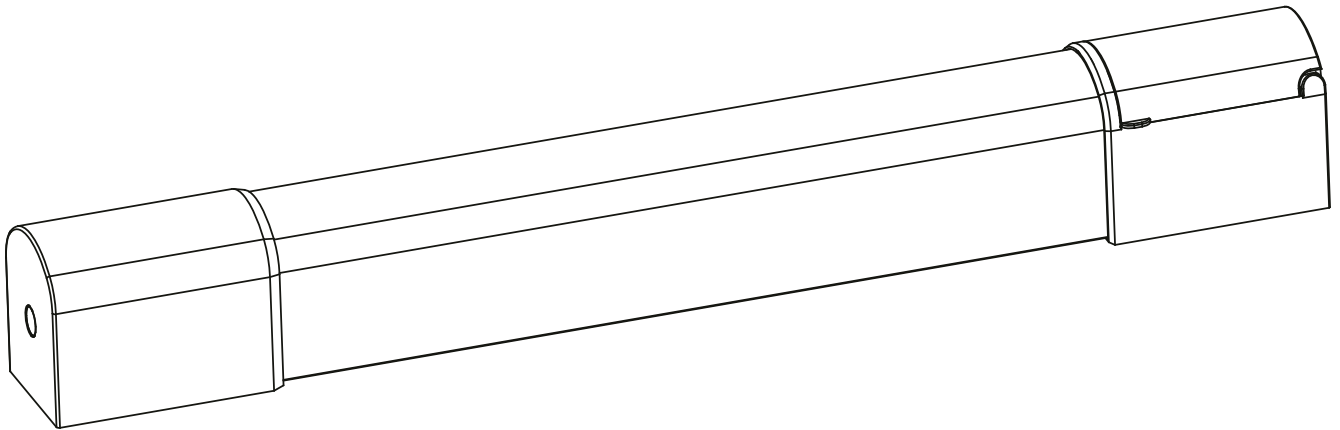


**ART. NO.**

3611-130-3  
3611-02-120-3  
3611-S-130-3  
3611-S-02-130-3

**Ledpro**  
by NORLUX



# Pluto

## INSTALLATION MANUAL

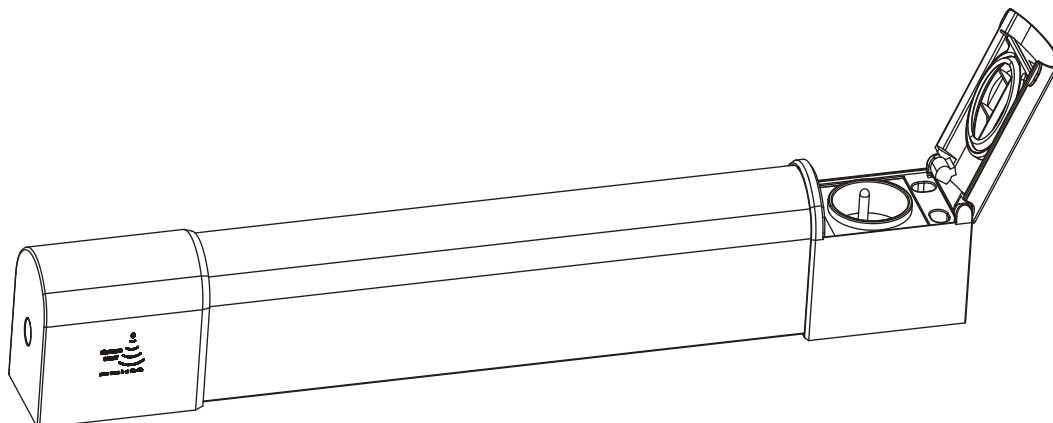
**⚠ Safety Notes:**

- The product must be installed, maintained, and operated as instructions below.
- Before starting installation of this product, make sure power supply is disconnected.
- Only to be installed by authorized electrician.
- Do not use abrasives or solvents when cleaning.
- Do not install the product if it appears damaged in any way. Check with manufacturer if in doubt.
- Do not modify this fitting in any matter as this will void warranty.
- Check protection class, if class I, it must be earthed.
- Disconnect power supply before maintenance or cleaning.

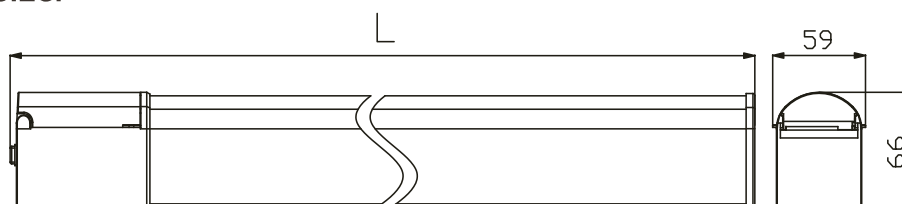
**⚠ Sikkerhetsinformasjon:**

- Følg installasjonsmanual for korrekt montering.
- Koble alltid fra strømmen før montering eller vedlikehold.
- Kan kun monteres av autorisert elektriker.
- Monter ikke produktet hvis det er synlig skade. Kontakt forhandler eller produsent.
- Bruk ikke løsemidler ved rengjøring
- Produktet skal ikke under noen omstendigheter endres eller modifiseres.
- Sjekk produktets isolasjonsklasse. Ved isolasjonsklasse I skal produktet jordes.

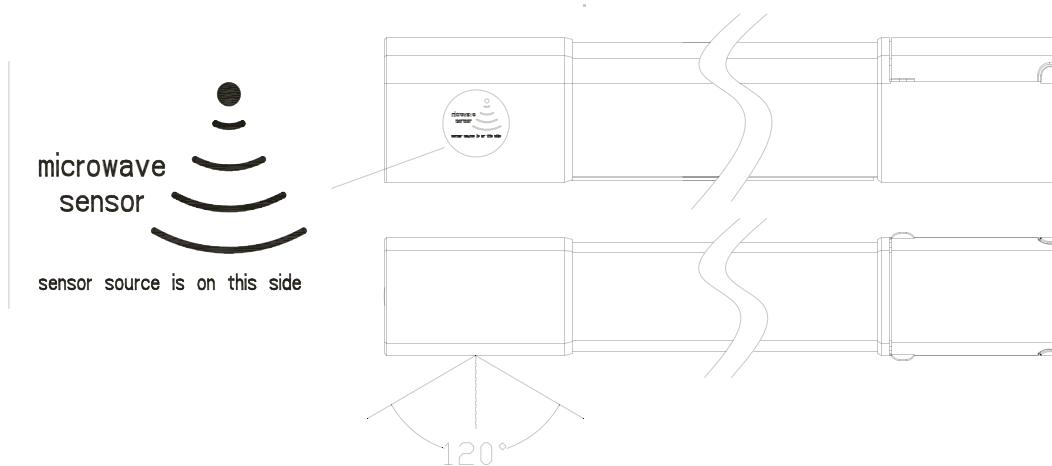
## PLUTO SENSOR SERIES



### Product size:



### Functional introduction:

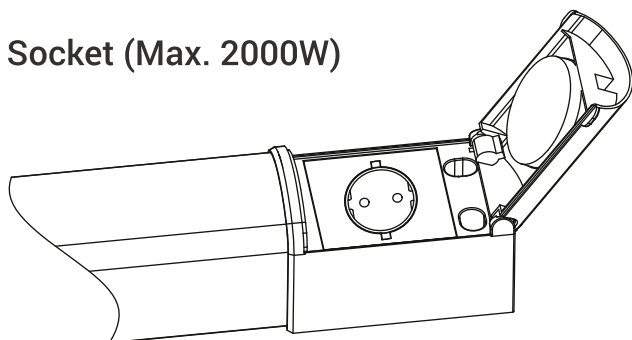


### FEATURES:

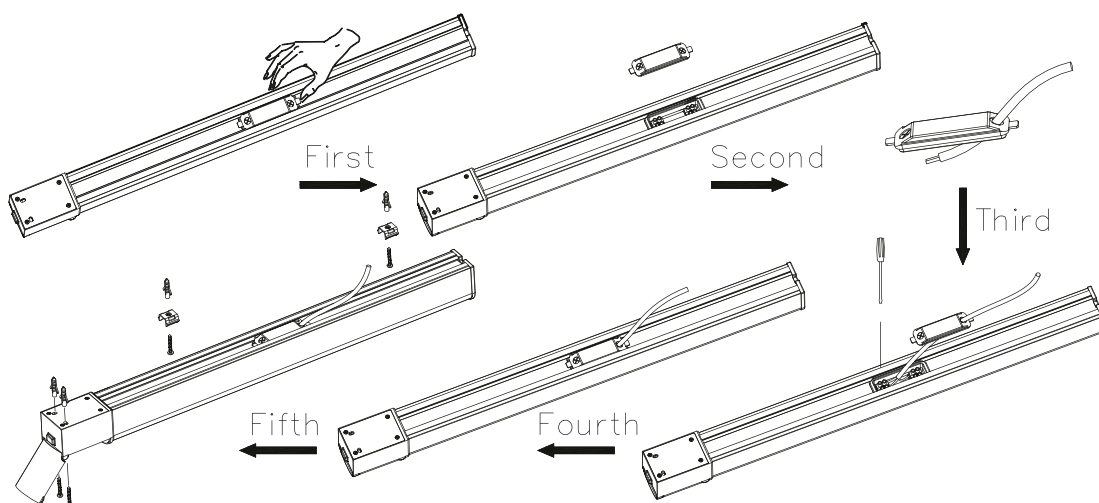
- The light will be switched on when you get into detecting range, and time delay is 30 minutes (the time will not be extended even if you are detected again during the 30 minutes).
- At 3 meters height, the detecting range is 1-4.5 meters (under circumstance without EMI),  
Operating temperature: -20°C to 45°C

All specifications are nominal values, deviations may occur.  
Product specifications are subject to change without notice.  
Electrical equipment designed to be part of a fixed electrical installation can only be installed by a registered installation company

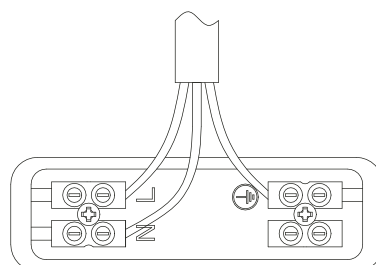
**Socket (Max. 2000W)**



**Installation information 1:**



**Wiring diagram:**



First: open the waterproof box cover.

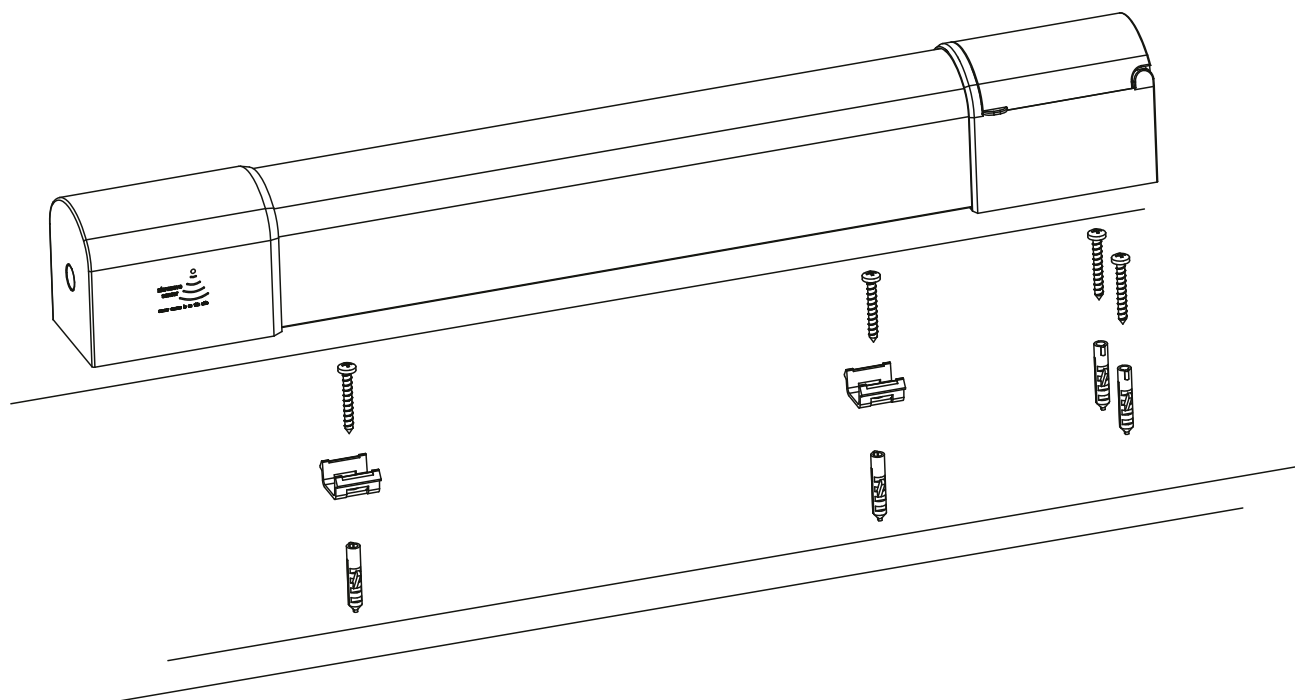
Second: the wire go through the waterproof cover.

Third: screw the wire into the terminal.

Fourth: the waterproof cover assembly in place.

Fifth: install the lights properly.

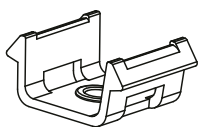
All specifications are nominal values, deviations may occur.  
Product specifications are subject to change without notice.  
Electrical equipment designed to be part of a fixed electrical installation can only be installed by a registered installation company



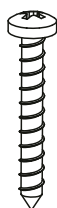
**\*Installation Notice:**

- 1) Can not install in circumstance with strong EMI;
- 2) Avoid the continuous moving objects within detecting scope;
- 3) The detecting range can get through the concrete wall, please take usage environment into consideration when fix the light.

**Accessories:**



Install button



Screw



Expansion tub

All specifications are nominal values, deviations may occur.  
 Product specifications are subject to change without notice.  
 Electrical equipment designed to be part of a fixed electrical installation can only be installed by a registered installation company