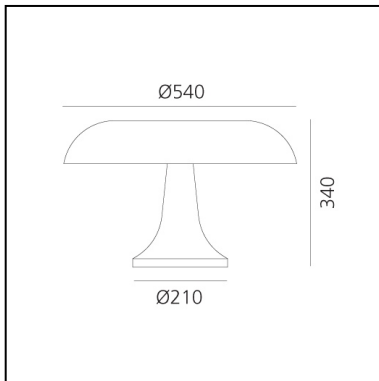


# Nesso Orange

Giancarlo Mattioli  
Gruppo Architetti Urbanisti  
Città Nuova



IP20     



## LUMINAIRE

- Watt: **80W**
- Voltage: **220V-240V**

## DESCRIPTION

Designed by Giancarlo Mattioli and Gruppo Architetti Urbanisti Città Nuova, in the glamorous 60's era, Nesso is an international icon of futuristic, democratic design. Part of the "Modern Classics" reissued line, it was a marvel of ABS thermoplastic injection-molding when first introduced in 1967 thus bringing industrial materials and methods to the home and office environments. A dash of color and a design inspired from nature, Nesso stems from the visionary identity of Artemide. Its' iconic curves wind into a true collectible, an expressive statement piece of internationally acclaimed calibre and fame. An iconic piece having staged its presence in various landmarks, Nesso is considered a valuable piece of art. An "icon" of design, part of the permanent collections of The Metropolitan Museum of Art and The Museum of Modern Art.

**PRODUCT CODE: 0056050A**

## FEATURES

- Article Code: **0056050A**
- Colour: **Orange**
- Installation: **Table**
- Material: **ABS**
- Series: **Design Collection, Modern Classic**
- Environment: **Indoor**
- Emission: **Diffused And Direct**
- design by: **Giancarlo Mattioli, Gruppo Architetti Urbanisti Città Nuova**

## DIMENSIONS

- Height: **cm 34**
- Diameter: **cm 54**
- Base Diameter: **cm 21**
- Impact Resistance: **N/D**
- Glow Wire Test: **850°C**

## NOT INCLUDED SOURCES

- Category: **HALO**
- Number: **4**
- Watt: **20W**
- Socket: **E14**
- Class: **A**

## ALTERNATIVE SOURCES

- Category: **LED RETROFIT**
- Number: **4**
- Watt: **2W**
- Socket: **E14**